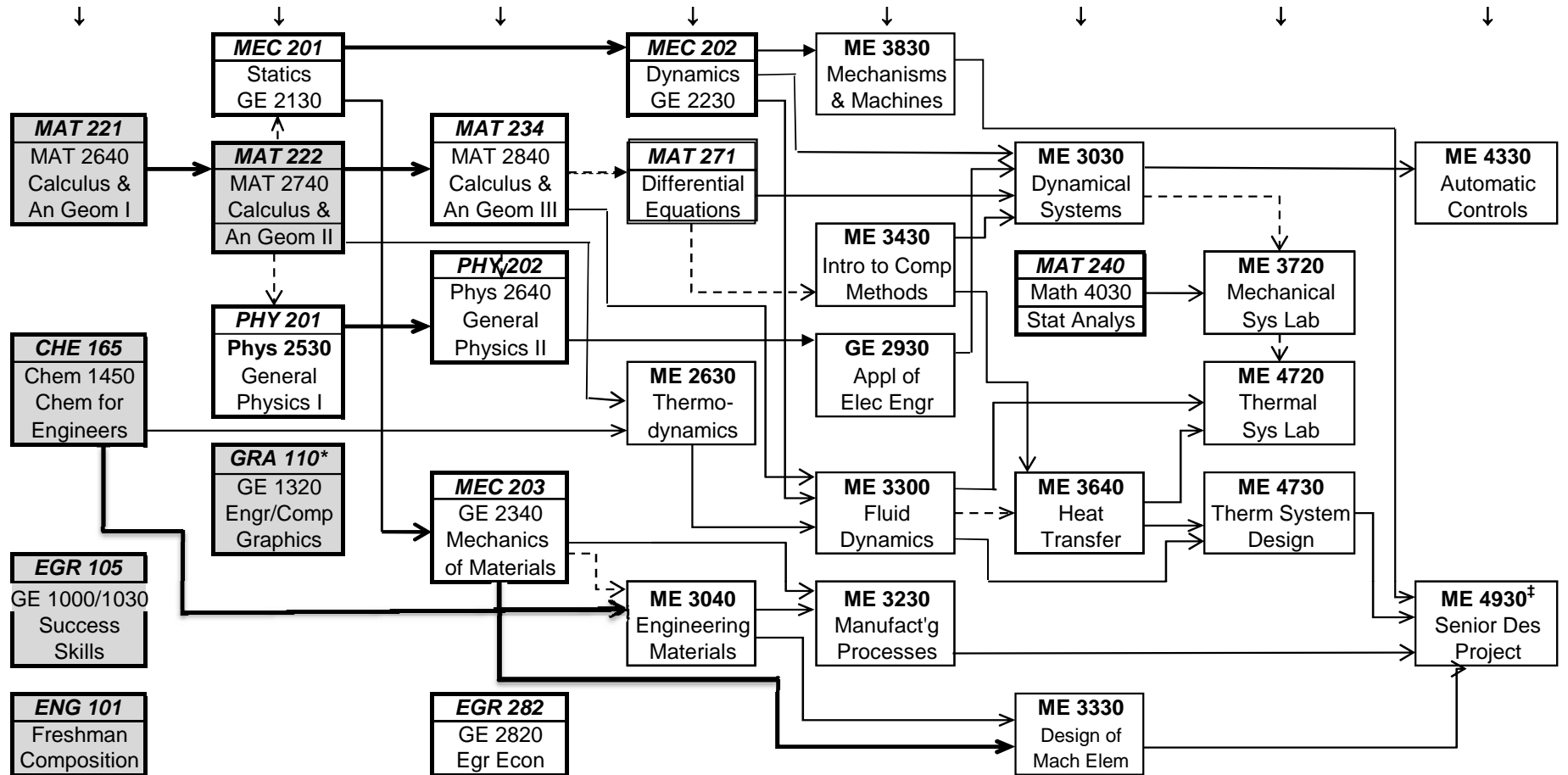


MECHANICAL ENGINEERING CURRICULUM

Required ME, GE, math, science and core courses



For general education requirements, see requirements for the UW-Fox Valley AAS.

Legend	
→	Prerequisite
→	Prerequisite w/ "C" or better
- - - - ->	Corequisite
shaded	GE core courses (2.6 GPA required for ME)
GRA110*	Not equivalent to GE 2030-tutorial required prior to ME 3330